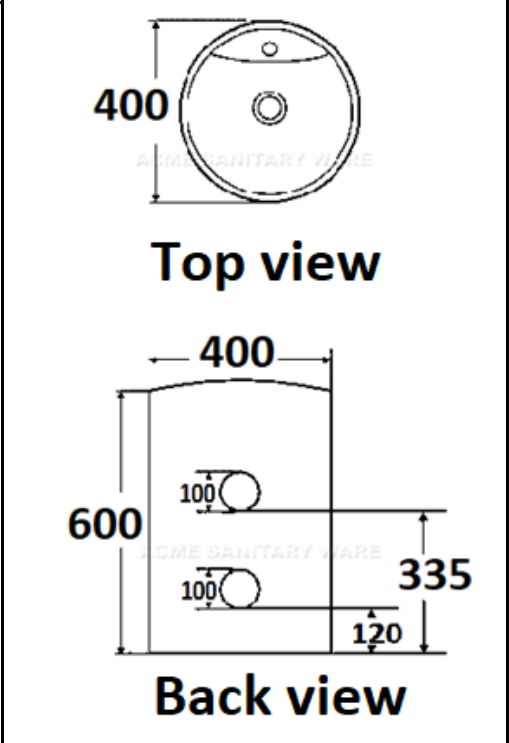




PROJECT		REF		REV	ITEM CODE	
LOCATION		DATE			PAGE	

SANITARY WARE SPECIFICATION SHEET

Item Descriptions	EMCA (PRC) Vitreous china pedestal washbasin for kid with 600mm high	<p align="center">Illustration/ Drawing</p>
Model	EM0406.206	
Dimensions	W400 x D400 x H600 mm	
Manufacturer	EMCA (PRC)	
Source	Acme Sanitary Ware Co. Ltd Mr. Eric Wong/ Mr. Don Yuen	
Contact Tel/Fax	(852) 2388-7171 / (852) 2710-8012	
E-mail Website	acme@acmesanitary.com.hk www.acmesanitary.com.hk	



Note:
 Recommended American Standard "Sensor Faucet" WF-8805.000.50 shown on the photo

** All information of the above is for the reference only. No prior notice is made if any changes.*



PROJECT		REF		REV	ITEM CODE	
LOCATION		DATE			PAGE	

SANITARY WARE SPECIFICATION SHEET

Item Descriptions	American Standard "Selectronic" (PRC) Chrome plated casted spout sensor faucet; nominated flow rate 1.7 L/min in WELS Grade 1 ; Registration No. TN 22-0016
Dimensions	Refer to drawing
Model	WF-8805.000.50 (DC supply sensor tap) 403986040 (Aerator)
Finish	Chrome Plated
Manufacturer	American Standard (PRC)
Source	Acme Sanitary Ware Co. Ltd Mr. Eric Wong / Mr. Don Yuen
Contact Tel/Fax	(852) 2388-7171 / (852) 2710-8012
E-mail	acme@acmesanitary.com.hk
Website	www.acmesanitary.com.hk

Illustration/ Drawing

The illustration shows a chrome-plated sensor faucet with a curved spout. To the right is a blue and green Water Efficiency Label (WELS) for Grade 1, indicating a flow rate of 1.7 L/min. Below the illustration are three technical drawings: a side view showing a spout height of 131mm (5-1/8") and a distance of 141mm (5-1/2") from the centerline to the spout tip; a front view showing a mounting hole diameter of 81mm (3-3/16"), a hole offset of 49mm (2"), and a distance of 500mm (20") from the bottom of the faucet to the mounting hole; and a top view showing a square base with a side length of 125mm (4-7/8") and a mounting hole diameter of 114mm (4-1/2").

Dynamic flow pressure (kPa)	50	150	250	350	500
Flow rate (l / min)	1.38	1.90	1.80	1.88	1.95

Sensor	Infrared Sensor
Valve	Solenoid Valve
Battery	Lithium battery
Operating range	5mm to 250mm max (Default 120 mm)
Inlet	G 1/2"
Water pressure	0.05 MPa ~ 0.75 MPa
Material	Brass
Surface	Chrome Plated
Origin of Country	PRC

Inner Box size (mm) : 310*210*120
 Carton size (mm) : 440*330*360
 Q' ty / Box: 6 pcs
 Product weight : 2.43 Kg

Surface Treatment : Ni>=5.0u, Cr>=0.2u
Life cycle : 200,000 cycle

* All information of the above is for the reference only. No prior notice is made if any changes.

註冊號碼 (Registration No.): TN 22-0016



自願參與用水效益標籤計劃 - 水龍頭
Voluntary Water Efficiency Labelling Scheme - Water Taps




茲證明

This is to certify that

將下列水龍頭在本計劃內註冊：
has registered the following water tap under this scheme :

牌子 / Brand	:	American Standard + Grohe
型號 / Model	:	WF-88X5.000.50 + 403986040
種類 / Type	:	Non-mixing
原產地 / Country or Region Origin	:	China (Tap) Germany (Flow Controller)

X - denotes the type of power source

在用水效益標籤上展示的標誌 <i>Symbolic Presentation on the Water Efficiency Label</i>	:		滴水點 <i>Water droplet(s)</i>
用水效益級別 <i>Water Efficiency Grade</i>	:	1	with additional merit*
耗水量 <i>Water Consumption</i>	:	1.7	公升/分鐘 <i>litres/minute</i>

*with additional merit of "Automatic closing mechanism"

簽發日期: 7 January 2022
Date of Issue:

 水務署
Water Supplies Department



水務署署長(尤孝賢代行)
for Director of Water Supplies



Department

入境事務大樓 48 樓
7 Gloucester Road, Wan Chai, Hong Kong

本署檔號 : (6) in WSD 3321/2021 T/J(281/2021)
Our ref.
來函檔號 :
Your ref.

電話 :
Tel.
傳真 : 2824 0578
Fax.

6 October 2021



Approval of "AMERICAN STANDARD" Sensor Tap (General Acceptance No. C20211086)

Your letter ref. WRC/2476 dated 29 January 2021 and subsequent submissions received by this department up to 30 August 2021 refer.

Having considered the test report ref. 25353r1 issued on 28 May 2021 by Nutek Systems (HK) Ltd. and WRAS certificate, this Authority accepts that the fitting described below complies with, and its use when correctly installed does not contravene, the Waterworks Ordinance and Regulations.

Name of Manufacturer: Jiangmen LIXIL AS Sanitary Fitting Manufacturing Co Ltd

Country of Origin: the Mainland of China

Brand: American Standard

Details of Fitting: 1/2" Deck mounted sensor tap with 1 no. of flexible hose approved by UK's WRAS under ref. 1909363

Model: WF-88X5.000.50
(where "X" denotes the type of power source)

Body Markings: *American Standard*



Expiry Date: 30 September 2024

This Authority hereby permits the use of the above fitting in fresh water plumbing systems subject to full adherence to Waterworks installation requirements. In particular, you are required to draw your customers' attention to the following requirement-

"A stop cock or gate valve must be installed at the upstream of the fitting for manual isolation of water supply." AND

"The main voltage operated sensor valve should comply with the electricity safety regulation for applications in bathroom, toilet etc."

A condition of this acceptance is that the fitting to be installed shall be replicas of the sample as certified by the testing agent mentioned above and without modifications. This acceptance may be withdrawn at any time if the standard of the fitting installed fail to meet that of the approved sample or if the fitting is found to be unsuitable for use in fresh water plumbing systems.

This acceptance is only applicable to the main body of the fitting, unless otherwise specified.

For the use of the fitting in any project, the General Acceptance Number of this letter must be quoted as a means of identification of acceptance of the fitting by this Authority.

Should you have any enquiries, please contact our Engineer Ms. Winnie LO at tel. no. 3583 4086.

Yours faithfully,



(Roger WONG)
for Director of Water Supplies

Encl.

c.c. WSD 3321/1/82] - without catalogue
ME/MC] - with soft copy only